

GENIE SX - 135 XC

Specifications

Measurements	US	Metric
Working height maximum*	141 ft	43.15 m
Platform height maximum	135 ft	41.15 m
Horizontal reach maximum	90 ft	27.43 m
Below ground reach	19 ft 8 in	6.00 m
▲ Platform length	3 ft	0.91 m
▲ Platform width	8 ft	2.4 m
▲ Height - stowed	10 ft	3.05 m
▲ Length - stowed	64 ft 10 in	19.76 m
- transport (jib tucked under)	43 ft 7 in	13.28 m
▲ Width - axles retracted	8 ft 2 in	2.49 m
Width - axles extended	12 ft 11 in	3.94 m
▲ Wheelbase - axles retracted	13 ft 6 in	4.11 m
▲ Ground clearance - center	15 in	38.1 cm

Productivity

Lift capacity	660 lb / 1,000 lb	300 kg / 454 kg
Platform rotation	160°	
Vertical jib rotation - up/down	70° / 55°	
Turntable rotation	360° continuous	
Turntable tailswing - axle retracted	3 ft 9 in	1.14 m
Turntable tailswing - axle extended	5 ft 7 in	1.70 m
Drive speed - stowed	2.7 mph	4.3 km/h
Drive Speed - out of stowed	0.4 mph	0.65 km/h
Gradeability - stowed	35%	
Turning radius - axle retracted: inside	26 ft 4 in	8.03 m
outside	32 ft 8 in	9.96 m
Turning radius - axle extended: inside	9 ft 6 in	2.90 m
outside	20 ft 3 in	6.17 m
Controls	12 V DC proportional	
Tires	445D50/710HD	

Power

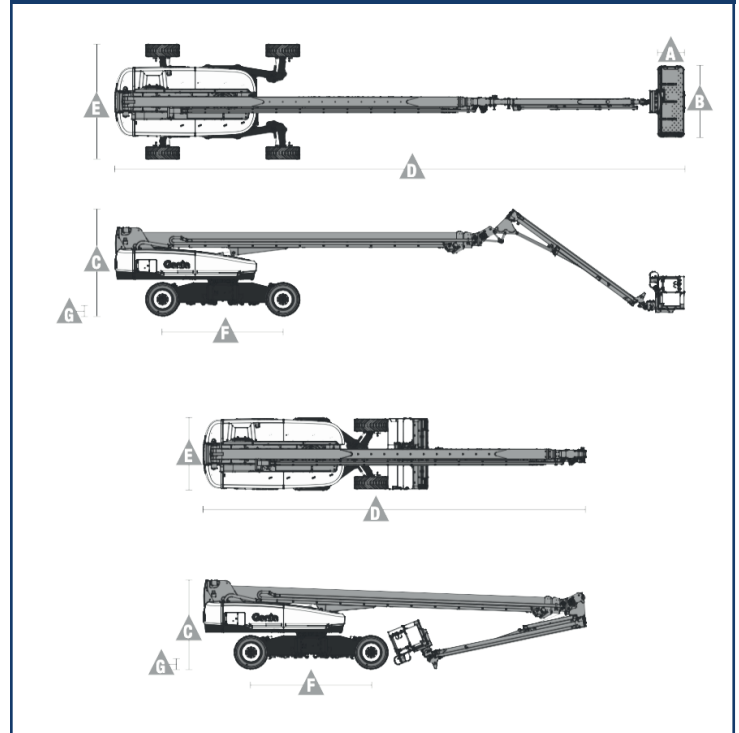
Power source	Deutz TD2.9 L4, 74 hp (55 kW), Tier 4 final Deutz TD2011L04i, 74 hp (55 kW), Tier 4 interm Perkins 854F-E34T, 74 hp (55 kW), Tier 4 final Perkins 1104D-44T, 74 hp/83 hp (55 kW/62 kW), Tier 3
Auxiliary power unit	12 V DC
Hydraulic tank capacity	60 gal 227 L
Fuel tank capacity	40 gal 151 L
Weight***	47,500 lb 21,546 kg

* The metric equivalent of working height adds 2 m to platform height. U.S. adds 6 ft to platform height.

** Gradeability applies to driving on slopes. See operator's manual for details regarding slope ratings.

*** Weight will vary depending on options and/or country standards.

Dimensions



Working ranges

