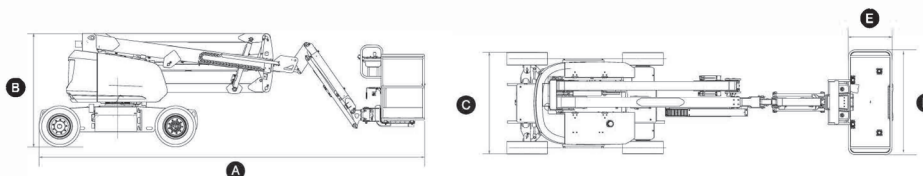
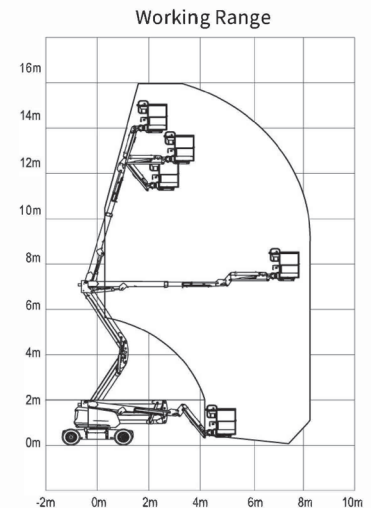


# LINGONG A14JE

## SPECIFICATIONS

MODELS		A14JE (A45JE)	
Measurements	Metric	US	
Working Height Max.	15.8m	51.8ft	
Platform Height	13.8m	45.3ft	
Horizontal Outreach	7.81m	25.6ft	
Up and Over Height	7.26m	23.8ft	
<b>A</b> Stowed Length	6.66m	21.9ft	
<b>B</b> Stowed Width	1.8m	5.9ft	
<b>C</b> Stowed Height	1.98m	6.5ft	
<b>D</b> Platform Length	1.83m	5.9ft	
<b>E</b> Platform Width	0.76m	2.6ft	
Platform Capacity	230kg	510lbs	
Wheelbase	2.03m	80in	
Ground Clearance	0.24m	0.79ft	
PRODUCTIVITY			
Platform Occupants Max. (in/out)	2/2		
Drive Speed-Stowed	4.8km/h	3mph	
Drive Speed-Raised	1km/h	0.62mph	
Gradeability-Stowed	30%		
Platform Rotator	160°		
Turnable Rotation	355°		
Turnable Tailswing	0		
Turning Radius-Inside	1.83m	6ft	
Turning Radius-Outside	4.1m	13.5ft	
Tires Type	Foam-filled non-marking		
Tires Size mm/in	719×246mm	28.3×9.7in	
POWER			
Power Source	48V DC 390Ah		
Fuel Tank Capacity			
HYDRAULIC SYSTEM			
Hydraulic Oil Capacity	30L	7.9gal	
WEIGHT			
Machine Weight(CE/ANSI)	7500kg	16535lbs	



### Machines in compliant with EN280 / ANSI 92.20 Standard.

Specifications subject to change without notice. Photos and diagrams in the page are for promotional purposes only.